

HDMI CONVERTER PRODUCTS

HDMI over fiber converter WDM 20KM



FEATURE

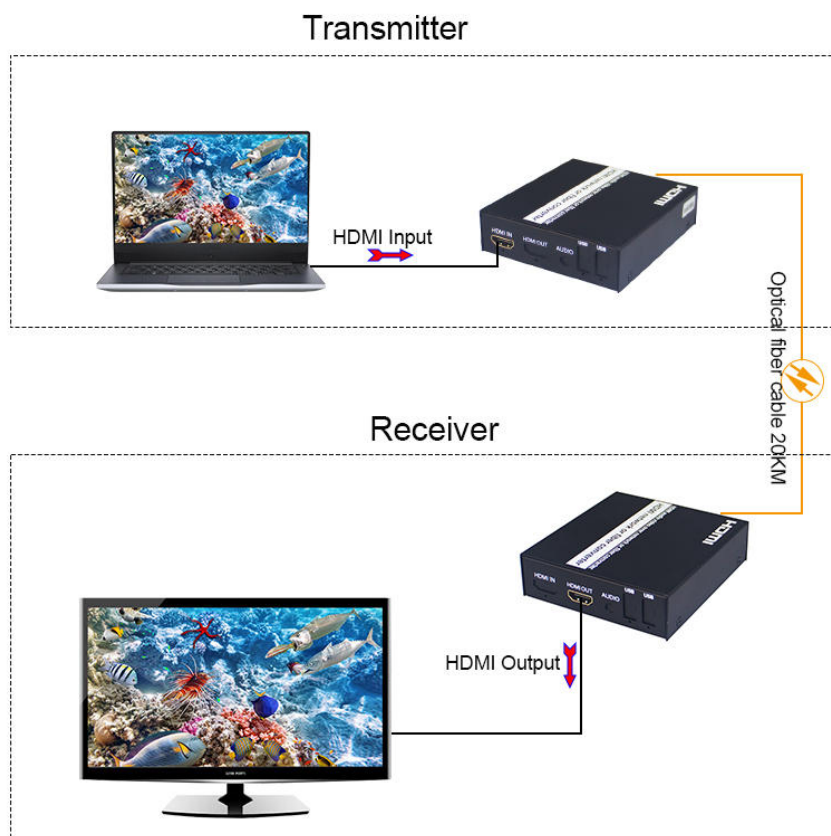
- Transmits HDMI video and audio signals up to 20km over one fiber optic cable
- Support video resolution up to 1920*1080@60Hz
- Compliance with HDMI 1.3 and HDCP 1.2 standard
- High compatibility, can auto-match source and display device
- Built-in automatic adjustment system, make the image smooth, clear and stable
- Transmitter interface: HDMI Input; optical fiber interface
- Receiver interface: HDMI Output; optical fiber interface



PRODUCT DESCRIPTION

The Fiber optic extender provides extension of HDMI signals long distances over one fiber optic cable, it supports high resolution up to 1080P. The extender can use for a wide range of applications requiring long distance transmission of high resolution with high quality by its good stability and powerful security.

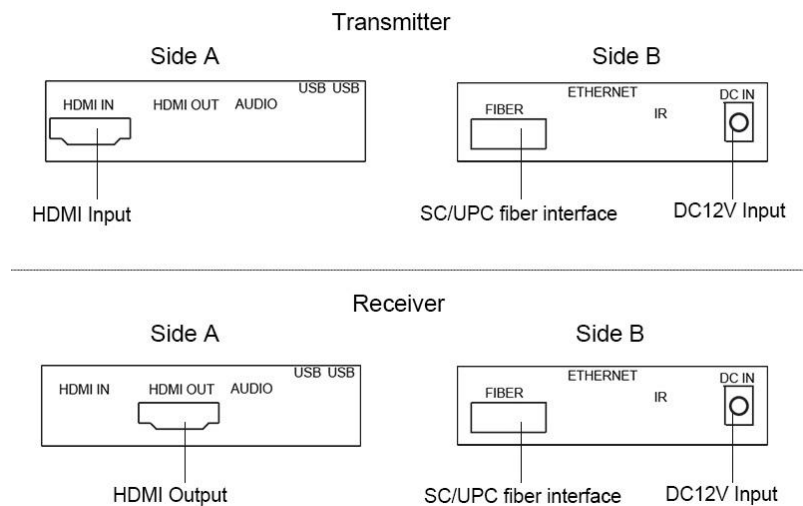
APPLICATION



SPECIFICATION

Parameter	Description
Video	
Standards	HDMI 1.3; HDCP 1.2
input signal	1 channel HDMI signal
Output signal	1 channel HDMI signal
Video input and output interface	HDMI-A
Support Resolution	1080p @ 50 / 60Hz; 1080i @ 50 / 60Hz; 720p @ 50 / 60Hz; 720i @ 50 / 60Hz; 576p @ 50Hz; 576i @ 50Hz; 480p @ 60Hz; 480i @ 60Hz.
Optical fiber	
Interface	SC/UPC or FC/UPC
Transmission bandwidth / rate	100Mbps (155 mega-light module)
Wavelength	1310nm , RX1550nm
Other	
Power supply	The power adapter: DC 12V
Power dissipation	3W
Temperature	Operating: -10 ~ +60°C
Humidity	Operating: 5% ~ 90%
size	16cm*12cm*2.8cm

PANEL INTRODUCTION



ORDER INFORMATION

PRODUCT	PART NUMBER
HDMI Fiber converter, 20Km, WDM	MC-H-HDMI-F9-20