

SZN1203-W License Plate Recognition Flash Lamp

Product Overview

SZN1203-W is designed as the high efficacy light sources for application system of license plate recognition. Under the condition of complete darkness, it helps camera system obtaining clearly pictures of number plate, vehicle body and cab.

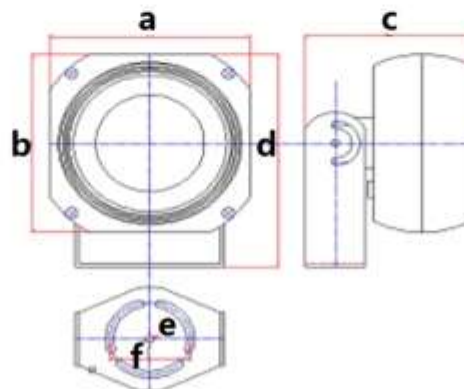
Feature

High luminous efficiency, long lifespan, good stability and high reliability
Anti-glare design, effectively reduce the eye stimulation

Technical Specification

Item	Specification
Flash energy	16J
Color temperature	5600K
Recycle time	< 400ms
Peak flash duration	< 0.1ms
Operate life	≥3million times
Trigger mode	Low electric level, switching value
Cover area	4m~5m@10m
Effective range	4m~5m
Working voltage	154VAC~265VAC
Frequency	48Hz~52Hz
Power consumption	Average power<16W(@1 flash/s), Maximum power in instant<150W
Working temperature	-20~+60℃
Working humidity	5%~95%@40℃, No condensation
Protection level	IP66
Dimension	173mm*173mm*143mm
Net Weight	2.50kg

Picture & Dimension



a: 173mm	b: 173mm
c: 143mm	d: 206mm
e: 7mm	f: 70mm