

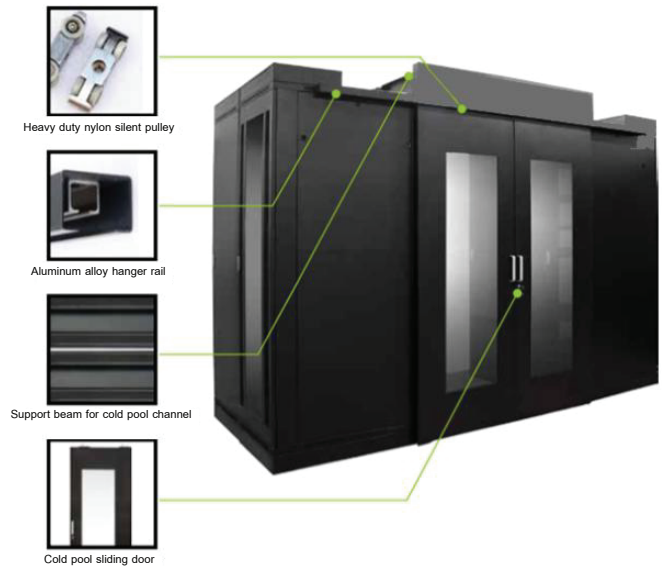
RACK AND CABINET PRODUCT

Data Center Room



FEATURE

- Surface finish: degreasing, pickling, phosphoric, powder coating.
The thickness of powder coating is 80µm -100µm, complying with ROHS.
- By adopting heavy duty nylon silent pulley and aluminum alloy hanger rail, the sliding door can be opened and closed easily. And the locks on the door are convenient for people managing the cold pool channel.
- The material of sliding door is double -deck cold -rolled sheet metal which make sure a good intensity of the door; And the middle of the door is made up of clear tempering glass which allow the outside people checking the situation of inside channel.
- The support beam on the top of cold pool channel is used for placing tempering glass. The thickness of the support beam is 1.5mm.



APPLICATION

Mainly applied in Finance, Securities and Data Centre, etc.

MATERIAL

Galvanized Cold - rolled steel sheet. Thickness for hanger rail 2.0 mm, support beam 1.5mm, sliding door 1.2 mm. Heavy duty nylon silent pulley.

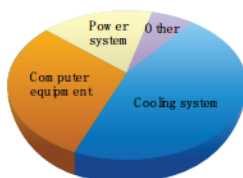
STANDARD

Comply with ANSI/EIARS -310 -D, DIN41491; PART1, IEC297 -2, DIN41494; PART7, GB/T3047.2-92 standard. Compatible with metric ETSI and 19 inch international standard.

PRINCEPLE OF COLD POOL

PREVIOUS SITUATION OF SERVER ROOM

- Total Energy Consumption: 100%
- Air-container: 45%
- Computer equipment: 30%
- UPS: 18%
- Others: 7%

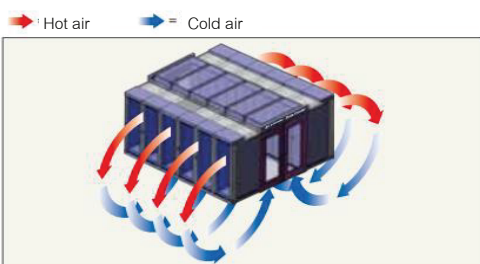


PREVIOUS PROBLEMS OF SERVER ROOM

- Local overheating in server room.
- Large energy consumption
- consumption rate: PUE>2.5

$$PUE = \frac{\text{Total energy consumption}}{\text{IT energy consumption}}$$

SCHEMATIC DIAGRAM OF COLD POOL

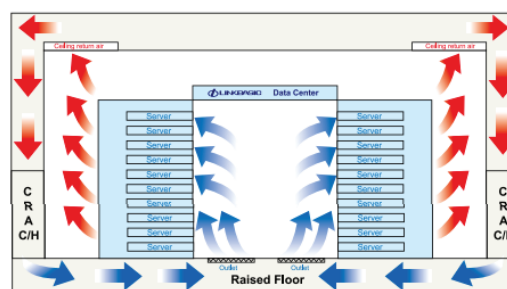


COOLING SOLUTION FOR SERVER ROOM

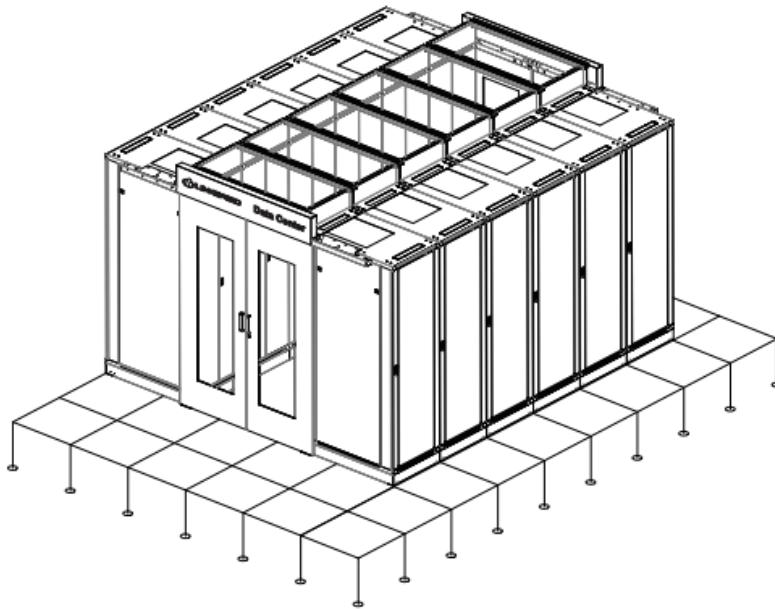
How to reduce energy waste? The cold air should be avoid exchanging with the effluent hot air as soon as possible during the process of facility cooling. So the cold and heat channel should be build to make sure that the cold air in the cold channel will not exchange with the hot air before it passing the facilities.

Cold Pool System is the best among the present data center consumption resucing solutions.

SECTION VIEW OF COLD POOL

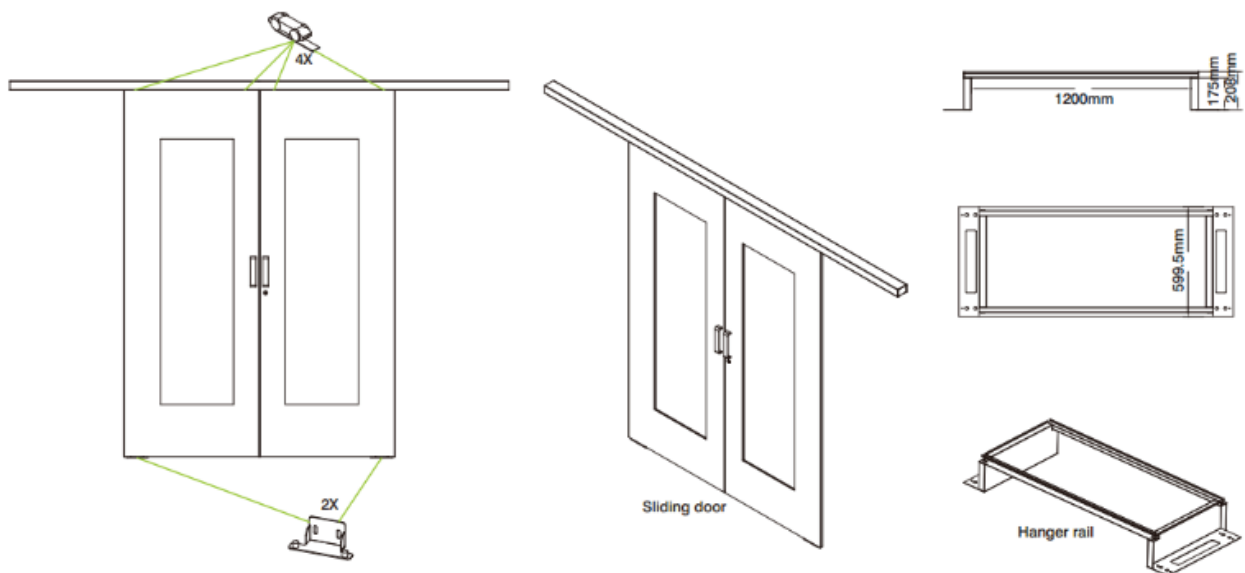


TRUCTURAL



DIMENSION (MM)

mm Unit of Measurement : mm



ORDER INFOMATION

PRODUCT	PART NUMBER
Standard 600x1200 cold pool glass roof and mounting bracket	R-MB-612
Standard 800x1200 cold pool glass roof and mounting bracket	R-MB-812
Standard 42U600 wide sliding door cold pool	R-SD-42
Standard 47U600 wide sliding door cold pool	R-SD-47