

# NAS-8505L

## IP AUDIO INTERCOM TERMINAL



## MAIN FUNCTIONS

### Basic functions

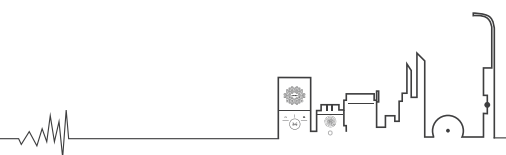
- With a compact and a wall-mounted design to save space.
- Adopt high-speed industrial dual core (ARM+DSP) chip, start time  $\leq 1s$
- Built in digital amplifier with 2X10W or 2X30W power (8 $\Omega$ ) output
- Status indicator light real -time displays status of all terminals ( online, offline, or task status)
- With 1 alarm input/ output interfaces
- Support configuration remotely and upgrading online.
- With a standard RJ45 interface, access is available where there is an Ethernet port.

### Audio functions

- With 1 analog audio input with local volume adjustment knob, and 1 line output to connect amplifier

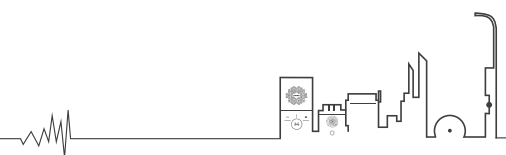
### Additional functions

- Optional: wireless transceiver module and 2.4G wireless vod microphone (NCS-3073) :
- The wireless transceiver module and 2.4g wireless VOD microphone can automatically pair on and operate at ISM channel 2400-2483mhz.
- Realize local sound system via built-in MIC of wireless VOD microphone or headset
- Use 3.5-inch stereo interface of wireless vod microphone to amplify the audio played by mobile phone;
- Through the wireless microphone can broadcast announcement to other terminals and call the main control room for two-way intercom;
- Wireless vod microphone comes with 2-inch OLED display screen, Chinese and English vod catalogue and current task information, through the control button, vod server program library any content, can control play/pause, fast forward/fast back, a-b repeat reading, flexible and simple operation.
- The volumn can be adjusted on the wireless microphone.
- Standard microUSB port charging (compatible with mobile phone charger), standby time is about 36 hours, and sound amplification is about 8 hours.

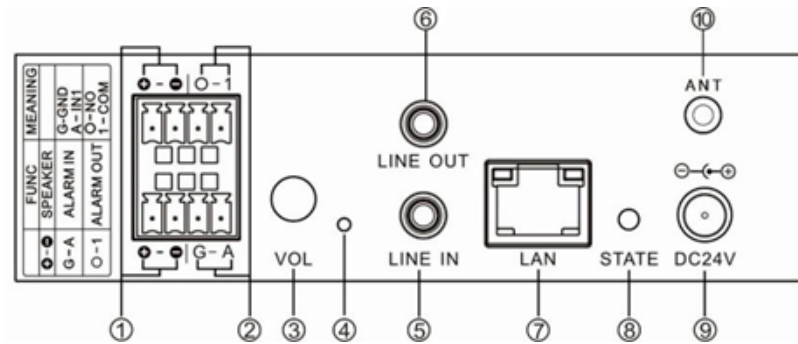


## SPECIFICATIONS

NAS-8505L		
Audio	Audio streaming	one-way/two-way, mono
	Audio compression	PCM、ADPCM
	Audio input	Line input
	Frequency response	20Hz-16KHz
Speaker	Speaker component	/
	Max SPL	/
	Frequency response	/
	Sensibility	/
Amplifier	Built-in amplifier	2*10W\2*30W
Network	Security	Password protection
	Supported protocols	IPv4/v6, TCP, UDP, IGMP, ARP,ICMP
System integration	Voice announcement	Support for SIP protocol to realize network transmission of audio and PBX
	VoIP	/
	Intelligent detection	/
	DC	2×10W or 2×30W
	Power consumption	≤24W\≤70W
	Event actions	It can be realized the broadcast , alarm, and other functions with XC-9000 software.
General	Shell color	Black
	Shell material	Steel
	Grille material	/
	Grille surface treatment	/
	Memory	/
	Power	DC24V 1A (20W) \DC 24V 2.7A (60W)
	Interface	1 X RJ45, 1 X line input, 1 X power output, 1 X alarm input, 1 X alarm output.
	Reliability	Designed for 24/7 operation
	Operating conditions	-10 °C ~ 50 °C
	Storage conditions	- 40 °C ~60 °C
	Approvals	3C
	Dimensions	132*36*156.5mm
	Weight	0.5Kg (20W) \ 0.6Kg (60W)
	Included accessories	Wiring terminal (3.81-4P) 2PCS, half round head self tapping screw 4 PCS, plastic expansion sleeve 4 PCS (F7), installation manual 1 PCS, certificate and warranty card 1 PCS, power adaptor 1 PCS (DC24V 1A\DC24V 2.7A), antenna 1PCS (only equipped with 2.4G wireless module terminal)
	Optional accessories	/
	Software	/
	Languages	Simplified Chinese, English
	Warranty	1 Years



## INSTALLATION



① Amplifier output interface: Internal power amplifier output port, it offer two way power amplifier output, it can output from amplifier when the terminal is receiving broadcasting or playing the background music. When the terminal power is 20W, amplifier output 2\*10W; when the power is 60W, amplifier output 2\*30W.

② Alarm input/output interface:

G-A: alarm input interface, it can trigger the NANDFlash card built-in ShortIN folder audio playing when it's closed. when the two pins are short circuited, the audio terminal will automatically make some special operation (eg: generate an alarm signal and sent to the server or send the alarm from local terminal etc) . Alarm button, short circuit signal generator all these devices all can access to this port; O-1: alarm output interface, alarm output is triggered by server software, it also triggered by alarm input or shutoff signal to play the alarm function (eg: open the electronic lock door). Alarm output port the maximum loaded current is 1A, the highest

voltage is AC100V(or DC24V).

③ The volume adjustment knob: used for line input volume adjustment, clockwise for up, anticlockwise for down.

④ Forced upgrade or play device IP button When the terminal without power on, press button by tweezers or pin, then power on till 5 seconds, so that it will enter into upgrade status ( press this button can voice play the terminal IP and subnet mask information in free status).

⑤ Line input interface: it can connect the external analog sound source (eg: dynamic microphone, computer...etc) to this port.

⑥ Line output interface: this port output the restored audio signal; It can used as a sound source access to the active speakers, audio pre-amplifier, sound console, audio amplifier device...etc.

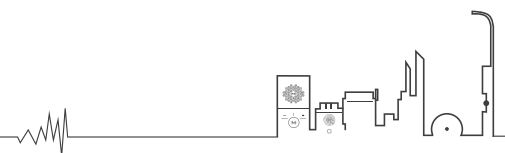
⑦ Network interface: this port connect with Ethernet by cables.

⑧ STATE: status light

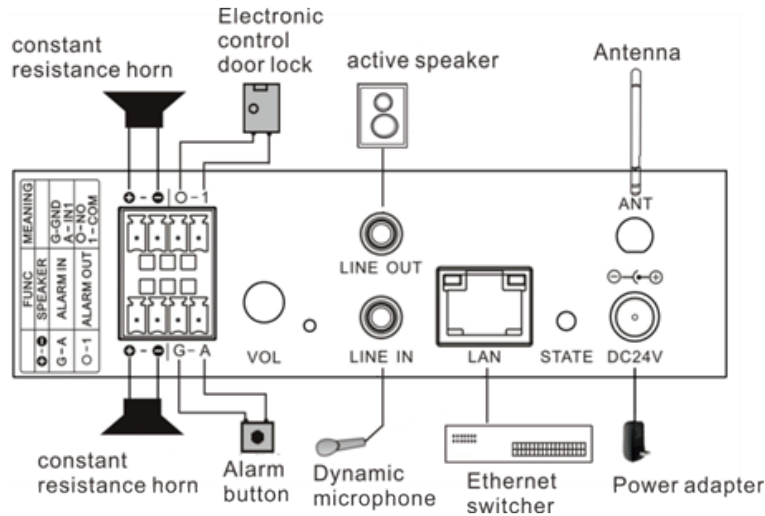
If the terminal is upgrading firmware, the status light is flashing in red and green; If the terminal is not login or required to login, the status light is flashing in red. If the terminal logged server and in free status, the status light is normal green on; If the terminal logged server and is executing the task, the status light is flashing in green.

⑨ The power interface: connect 24V power DC power supply.

⑩ ANT: antenna interface



## WIRING



## APPLICATION

### Application 1

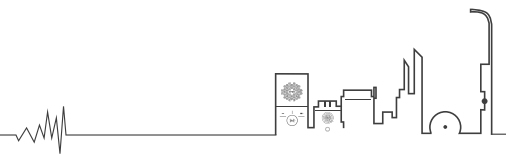
IP audio terminal NAS-8505L built-in 2\*10W/2\*30W class D digital constant resistance (8Ω output) amplifier , can receive broadcast task initiated by server software NAS-8500/XC-9000、 IP paging microphone(NAS-8502)、 SIP phone(Requires XC-9000), at the same time output to speaker and line out interface,the line out interface can connect with amplifier ,which is used in large-scale sound amplification occasions.

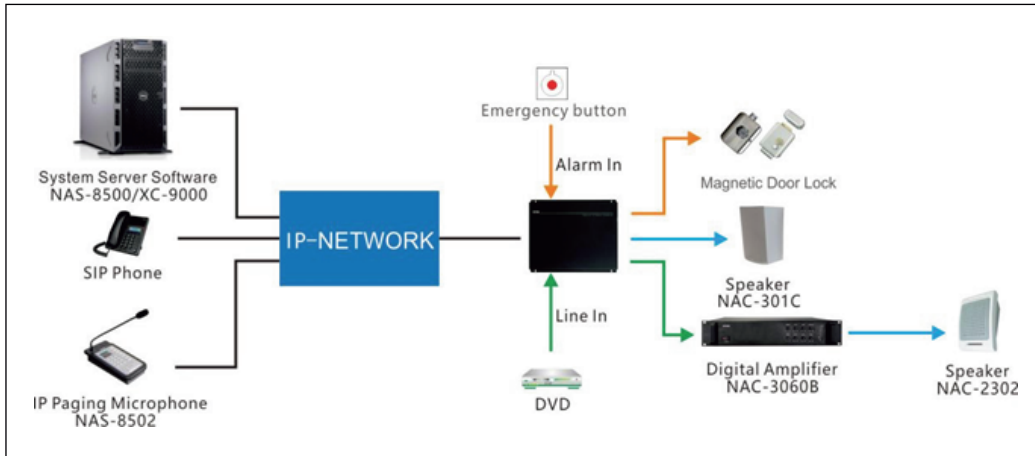
### Application 2

IP audio terminal NAS-8505L with line in interface , can connect with PC 、 DVD for local sound amplification.

### Application 3

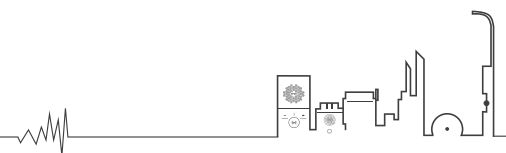
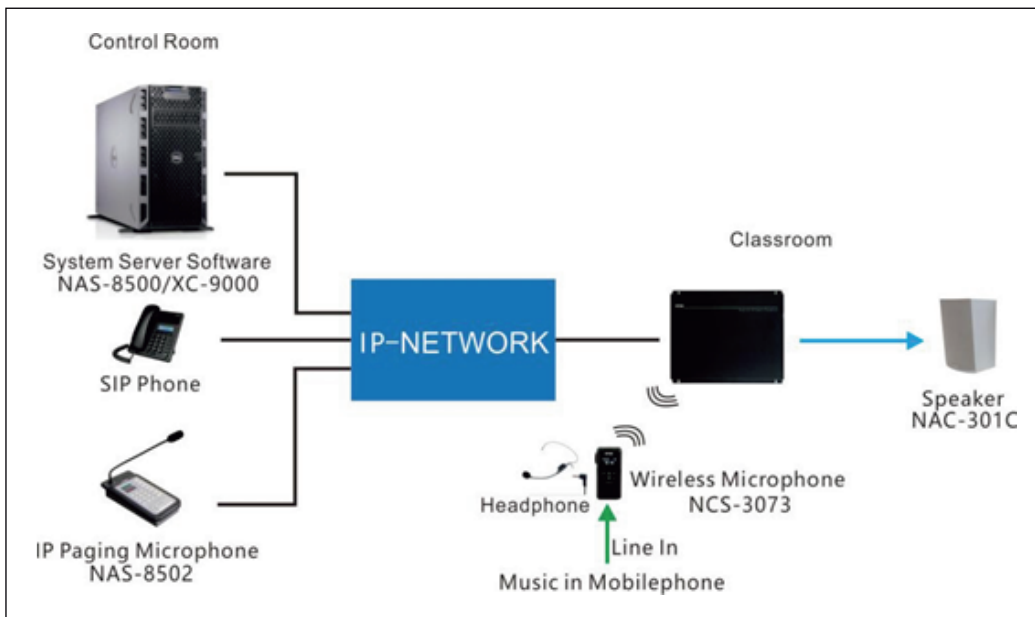
The IP audio terminal NAS-8505L has an alarm input and output interface, which can be linked with peripheral equipment, such as alarm input connected with alarm button, alarm output connected with electronic door lock. When the alarm button is pressed, it will trigger the IP network audio terminal NAS-8505L to play the preset audio file, and control the door lock to close.



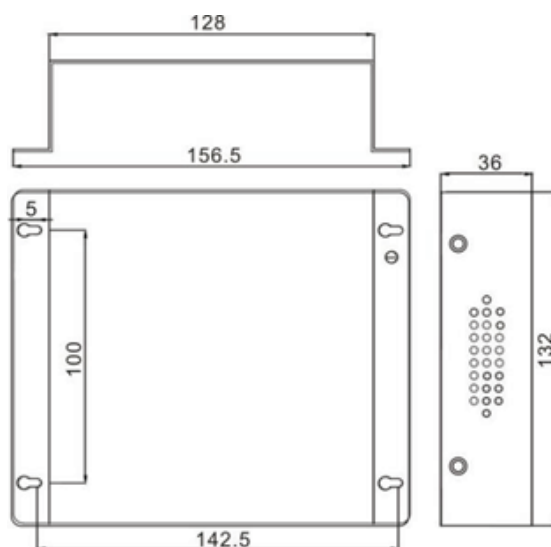


### Application 4

The IP network audio terminal NAS-8505L can be optionally equipped with a wireless transceiver module. With the wireless microphone (NCS-3073), it can be used for teaching sound reinforcement and intercom between the teacher and the control room.



## INSTALLATION



IP audio terminal NAS-8505L is suitable for wall-mounted installation , use 4 plastic expansion sleeves (F7) and 4 semi-round head tapping screws (M4 \* 25) provided with the equipment , refer to the installation dimensions below to fix the device on the wall.

### SPON

Changsha SPON Communication Technology Co.,Ltd

Address: SPON Industrial Park, Changsha, Hunan, China

Tel: 86-0731-85570190

Fax: 86-731-889-15786

Mail: sales@spon.com.cn

Http: //en.spon.com.cn/

