

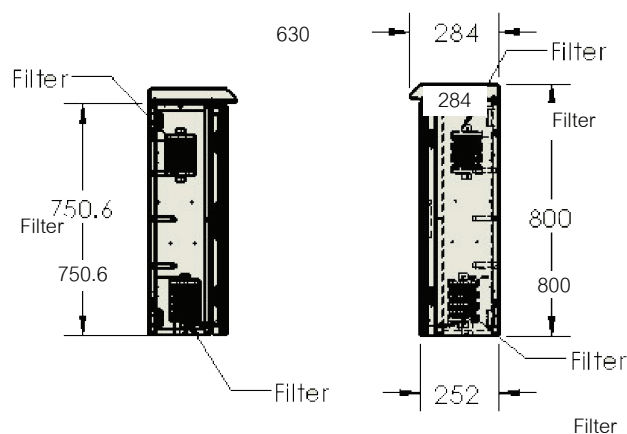
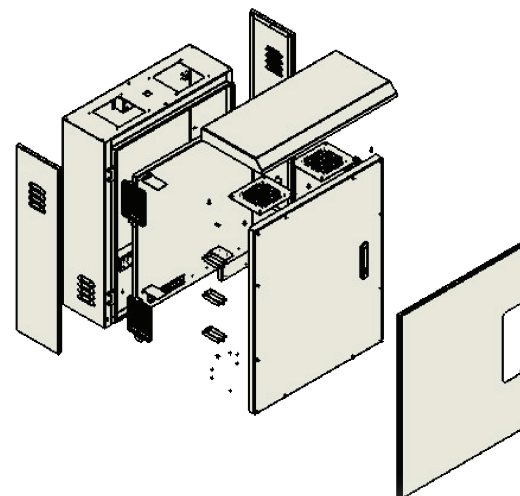
OUTDOOR CABINET SYSTEM

OUTDOOR STEEL CABINET TYPE E



FEATURE

- A cabinet for outdoor installation Wall mounting, Surveillance equipment (CCTV) installed equipment stay. And fiber optic distribution, Industrial Media Converter. Industrial Ethernet Switches and has
- Made by Electro galvanize steel or aluminium or stainless thickness 2.0 mm. it does not rust and is lightweight Including green-yellow ground wire size 2.5mm.
- The color of the cabinet for a special kind of external. Dark gray Through a color system with the painting process. Electro-static Powder Coating
- Front-door key lock Push Handle Lock Flush caps cabinet to increase security even more.
- Both sides Drilling ventilation fins And to protect the water in the aquarium.
- 2 mm. thick steel rear support for the cabinet to seize power pole.
- Roof rack can be mounted blower 4 "has two built-in cabinets can be cooled well. And help extend the useful life of the equipment inside the cabinet.
- Cover container and container roof with a rubber shield and sunshield around the cabinet to prevent water from and the sun entering inside.
- Inside pad (Plate) for lead 1.5 mm. Aladdin could removable for mounting to be installed inside the cabinet and build Din Rail mounting, Industrial Media Converter and Industrial Ethernet Switches.
- Have roof for rain protection.
- IP 66.
- Fan x 3 with filter.
- Bracket Thickness : 2.0 mm



ORDER INFORMATION

(Material: Panel)

- E = Electro Galvanized
- S = Stainless Steel
- A = Aluminium

(Dimension)

E = 750 x 630 x 250 mm

R - ODD — (XX) — (XX) — (XX)

- 12 = 1.2 mm
- 15 = 1.5 mm
- 20 = 2.0 mm

(Panel: Thick)