

## SZN1203-IR License Plate Recognition Flash Lamp

### Product Overview

SZN1203-IR is designed as the high efficacy light sources for application system of license plate recognition. Under the condition of complete darkness, it helps camera system obtaining clearly pictures of number plate, vehicle body and cab.

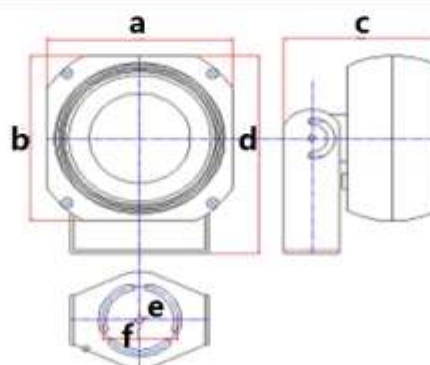
### Feature

High luminous efficiency, long lifespan, good stability, high reliability  
Anti-glare design, effectively reduce the eye stimulation

### Technical Specification

| Item                | Specification  |
|---------------------|--|
| Flash energy        | 16J  |
| Wavelength          | 850nm  |
| Recycle time        | < 400ms  |
| Peak flash duration | < 0.1ms  |
| Operate life        | ≥3million times  |
| Trigger mode        | Low electric level, switching value                          |
| Cover area          | 10m~11m@22m  |
| Effective range     | 4m~22m   |
| Working voltage     | 154VAC~265VAC  |
| Frequency           | 48Hz~52Hz  |
| Power consumption   | Average power<16W(@1 flash/s), Maximum power In instant<150W |
| Working temperature | -20~+60℃   |
| Working humidity    | 5%~95%@40℃, No condensation                                  |
| Protection level    | IP66   |
| Dimension           | 173mm*173mm*143mm  |
| Net Weight          | 2.50kg   |

### Picture & Dimension



|          |          |
|----------|----------|
| a: 173mm | b: 173mm |
| c: 143mm | d: 206mm |
| e: 7mm   | f: 70mm  |